



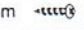


# ASSEMBLY INSTRUCTIONS

## MODEL : CODY DINING CHAIR

**IMPORTANT NOTE :**

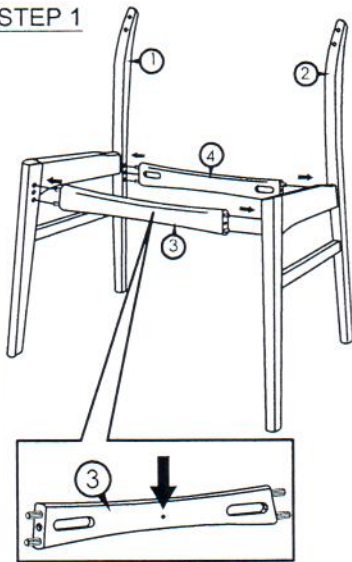
- \* PLACE ALL WOODEN PARTS ON A CLEAN AND SMOOTH SURFACE SUCH AS A RUG OR CARPET TO AVOID THE PARTS FROM BEING SCRATCHED.
- \* BEFORE YOU BEGIN, KINDLY FOLLOW THE ASSEMBLY INSTRUCTIONS STEP BY STEP.
- \* DO NOT TIGHTEN ALL SCREWS UNTIL THE CHAIR IS FULLY SET-UP.

| HARDWARE LIST |  |      | PART LIST |                        |     |
|---------------|--|------|-----------|------------------------|-----|
| A             | JCBC M6 x 25mm + S/W M6 + F/W M6 x 13mm<br> | 4PCS | 1         | RIGHT SIDE FRAME       | 1PC |
| B             | JCBC M6 x 45mm + S/W M6 + F/W M6 x 13mm<br> | 4PCS | 2         | LEFT SIDE FRAME        | 1PC |
| C             | ALLEN KEY M4<br>                            | 1PC  | 3         | FRONT STRETCHER (LONG) | 1PC |
| D             | L BRACKET<br>                               | 4PCS | 4         | BACK STRETCHER (SHORT) | 1PC |
| E             | PH SCREW M4 x 12mm<br>                      | 8PCS | 5         | TOP REST               | 1PC |
|               |  |      | 6         | CUSHION SEAT           | 1PC |

**CAUTIONS :**

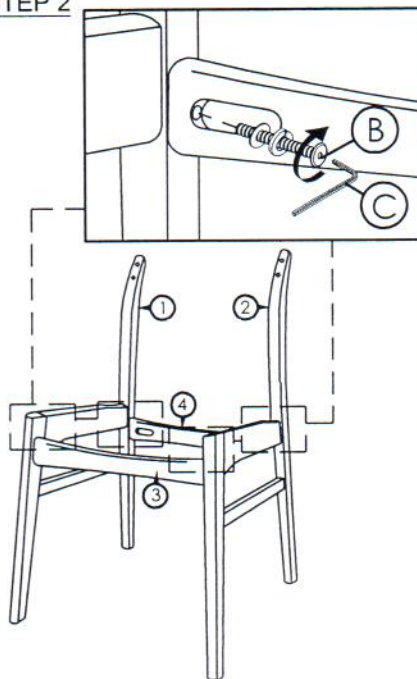
- (1) DO NOT FULLY-TIGHTEN THE NUT OR NUT BOLTS INITIALLY UNTIL ALL NUTS OR BOLT IS READY ASSEMBLED.
- (TO AVOID CAUSING DAMAGES TO THE THREAD, DO NOT OVER-TIGHTEN THE NUTS OR BOLTS. )
- (2) KEEP ALL HARDWARE PART OUT OF REACH OF CHILDREN.

**STEP 1**

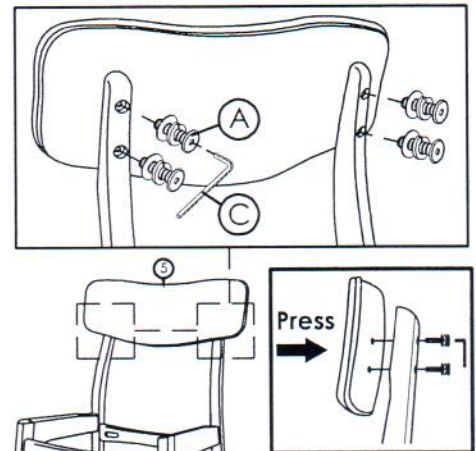


Front Stretcher has a small hole for identification.

**STEP 2**

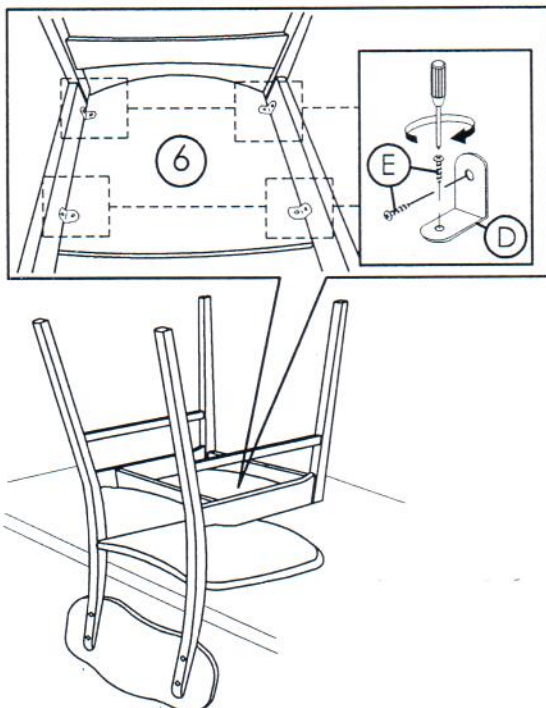


**STEP 3**

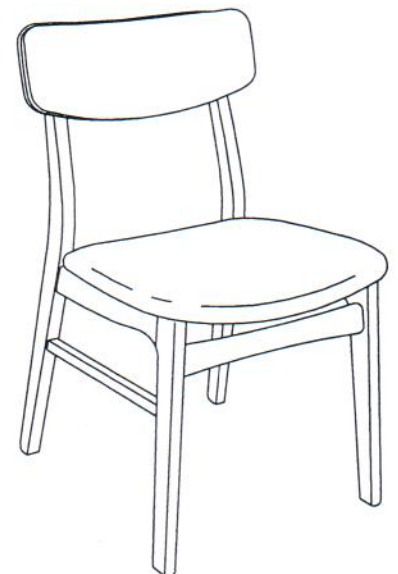


**Note:**  
Press the top rest towards leg frame strongly while fitting the top rest.

**STEP 4**



**STEP 5**



COMPLETED  
CHAIR ASSEMBLY.